

HEATIT Z-GATEWAY



Heatit Z-Wave Gateway is a smart home control unit with a modern design. Heatit Z-Gateway has SmartStart. This feature allows the user to include all devices with SmartStart by scanning the QR codes on the devices. On startup all the devices will automatically be included in the gateway. This saves the installer a lot of work.

This gateway allows you to control all Z-Wave devices in your home via tablet or mobile phone. The gateway is designed for easy setup and operation. With just a few clicks, you can easily add Z-Wave devices and create scenes. The settings are simple, but the possibilities are almost limitless.

Push notifications are supported, so you get notifications from your phone when an event is triggered in the smart home system, even when the phone is in sleep mode.

Voice control via Amazon Alexa and Google Home is also supported, and you can manage the system through voice commands.

The gateway has support for IFTTT, which makes it possible to integrate the gateway with almost any smart device on the market, as long as they have IFTTT support.

The Heatit Z-Wave gateway gives you endless opportunities to tailor your smart home to your specific needs.

PRODUCT INFO Heatit Z-Gateway

FEATURES

- Z-Wave gateway
- SmartStart
- Controls up to 120 Z-Wave devices
- Controls up to 12 devices in one scene
- Up to 60 scenes
- Support for Amazon Alexa and Google Home
- Support for IFTTT
- Push notifications
- Optional alarm function for each connected device
- Software update via FTP
- Internal real-time clock
- Supports encryption mode S0, S2 Authenticated Class, S2 Unauthenticated Class

This product is a security-enabled Z-Wave Plus product with encryption. The product must be used with a security-enabled Z-Wave Controller in order to fully utilize the product.

TECHNICAL DATA

Protocol	Z-Wave 500 series, 868,4MHz
Rated voltage	230V AC 50Hz
Ambient temperature	0°C to 50°C
Humidity	Max. 80% RH
Size (LxWxH)	96 x 96 x 21 mm
Weight	129 gram
Approvals	Z-Wave Plus CE, EMC, EN 60950

MAINTENANCE

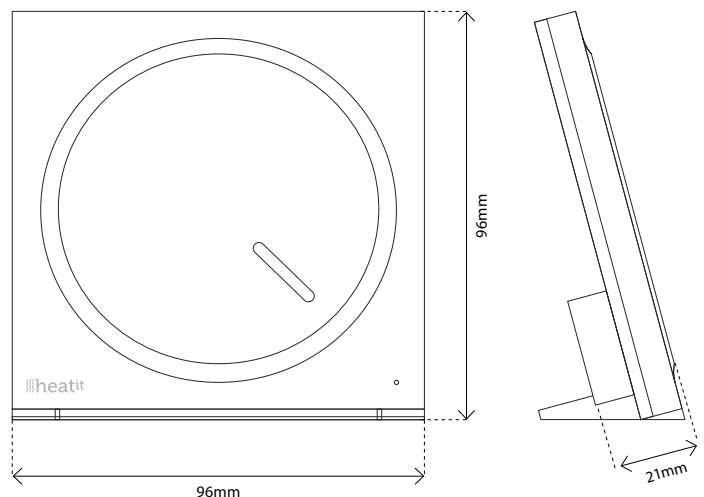
Perform a monthly check to make sure that the gateway has the latest firmware version installed to guarantee stability and device support.

WARRANTY

2 years

ART. NO.	PRODUCT	Z-WAVE FREQUENCY
45 126 99	Heatit Z-Gateway	EU 868,4MHz

The product is also available in other Z-Wave frequency versions on request.



Product specifications may change without further notice. All electrical installations must be carried out by a licensed electrician. The product must be installed in accordance with national building codes and our installers manual.